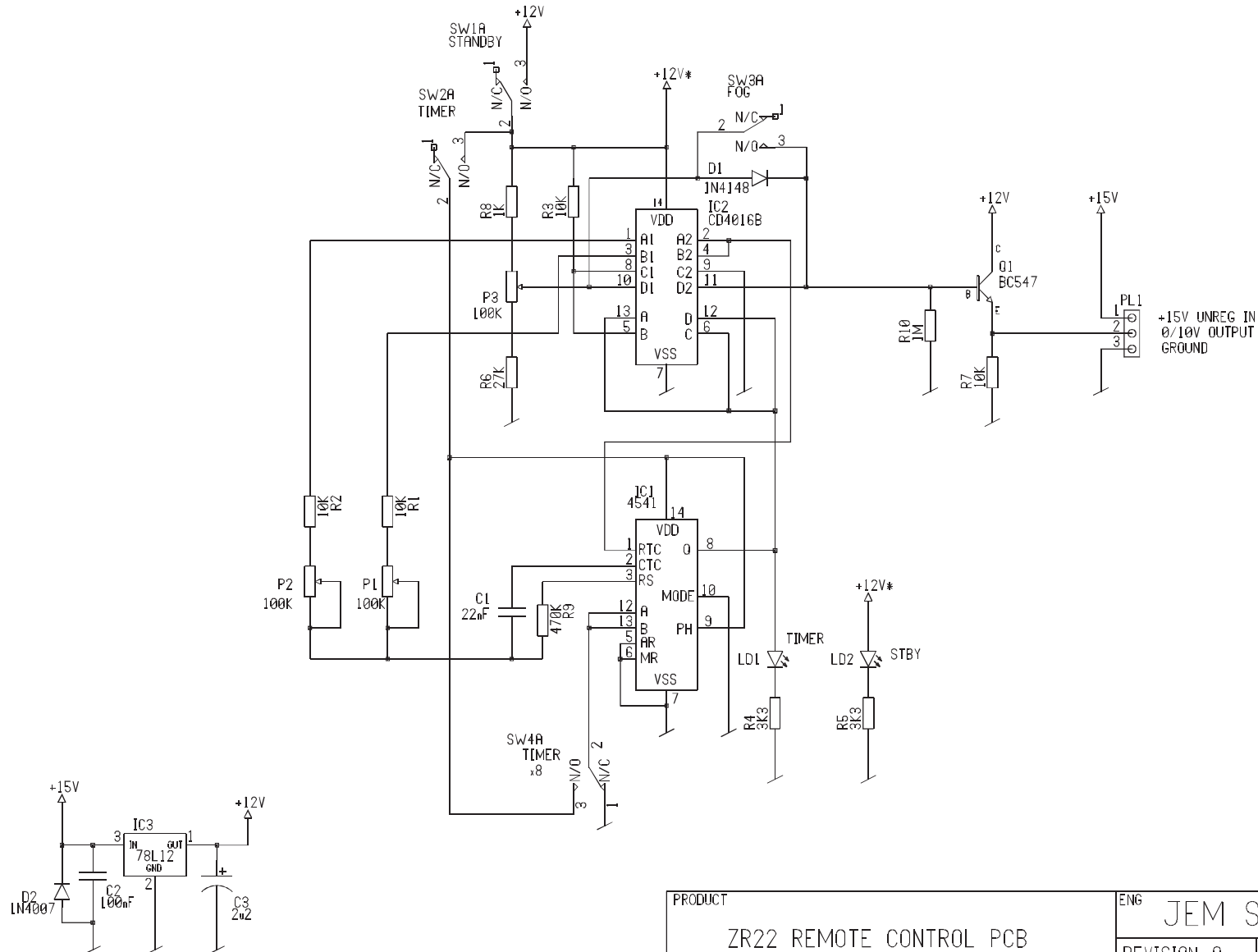
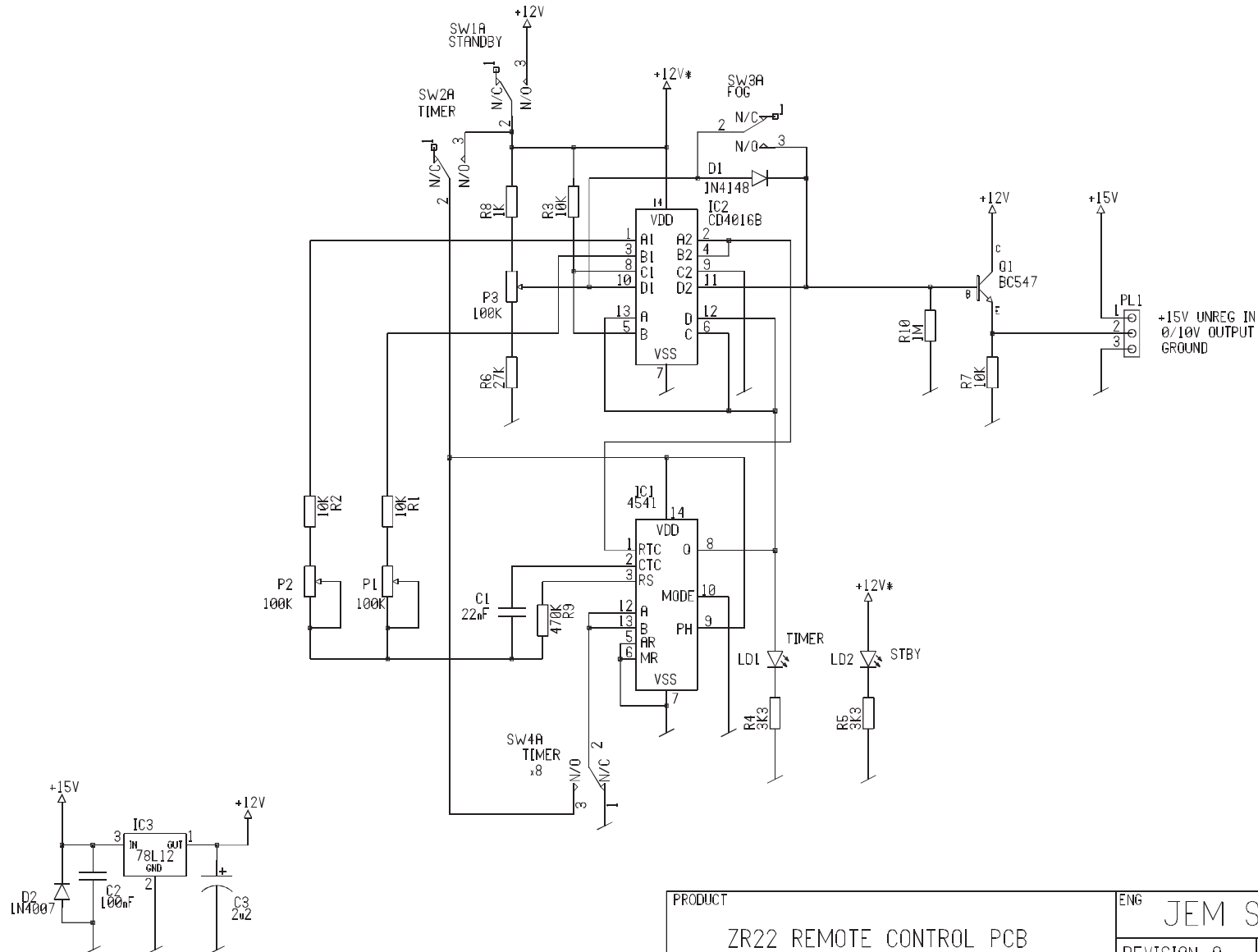


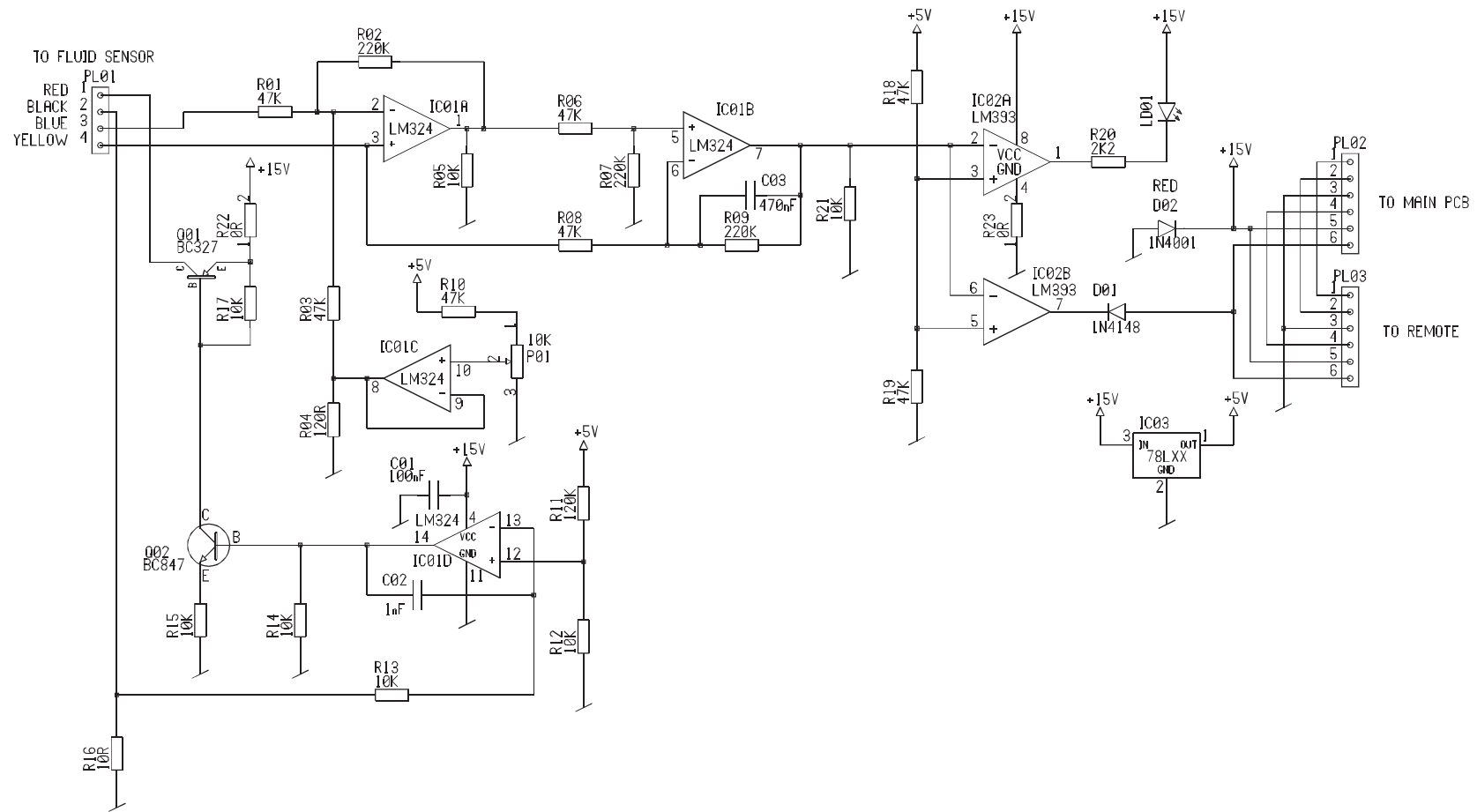
PRODUCT	ENG Martin Professional A/S		
NAME	ZR22 MAIN PCB SCHEMATIC	REVISION A	PAGE 1 OF 1
	174002 SCH/103020B PCB	DRAWN BY NJS	
		DATE 28/08/98	TIME 13 31



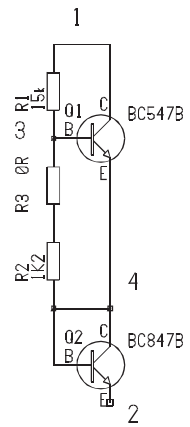
PRODUCT		ENG	
ZR22 REMOTE CONTROL PCB		JEM SMOKE PLC	
REVISION A	PAGE 1	OF 1	
NAME		DRAWN BY NJS	
174005 SCH/37045A PCB		DATE 20/8/98	TIME 10:57



PRODUCT		ENG	
ZR22 REMOTE CONTROL PCB		JEM SMOKE PLC	
REVISION A	PAGE 1	OF 1	
NAME		DRAWN BY NJS	
174005 SCH/37045A PCB		DATE 20/8/98	TIME 10:57



PRODUCT		ENG	
TECHNO-HAZE FLUID INTERFACE PCB		JEM SMOKE PLC	
NAME	174012/37057A	REVISION A	PAGE 1 OF 1
		DRAWN BY NJS	
		DATE 19/5/98	TIME 13 59



PRODUCT	TECHNO_HAZE FLUID SENSOR PCB			ENG	JEM SMOKE PLC		
NAME	174013 SCH/37058A PCB			REVISION A	PAGE	1	OF 1
				DRAWN BY	NJS		
				DATE	1/9/98	TIME	11 32